



## INFKL-800 Brake Disk Infrared Temperature Sensor

**Range** 800°C  
**Supply** 5 Volts  
**Output** 0 V to 5 V  
**Sensitivity Signal** 5 mV/°C  
 0.5 V at 0°C  
 4.5 V at 800°C  
**Accuracy** 3 % FS  
**Response Time** 100 ms  
**Supply Current** 1.5 mA

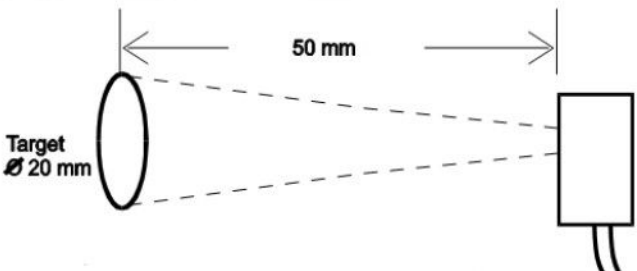
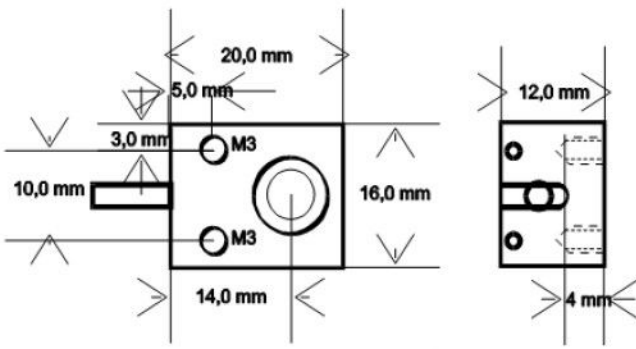
**IR Wave Length** 8 to 14 μm  
**Emissivity** 99 %  
**Calibrator** Land P550P  
**Protection** IP64  
**Vibration Test** 20 Gpp 5'  
**Shocks** 500 G  
**Operating Temperature** 0 to 40 °C (0 to 60 °C for range 800)  
**Storage Temperature** -40 to +125 °C

**Housing** Aluminium  
**Dimensions** 20 x 16 x 12 mm  
**Weight** 15 g

**Measurement Distance** 30 to 150 mm  
**Field of View** 2.5 : 1

Calibration table	
° C	Volts
	800
	5mV/°C
0	0,50
20	0,60
40	0,70
60	0,80
80	0,90
100	1,00
120	1,10
140	1,20
160	1,30
180	1,40
200	1,50
300	2,00
400	2,50
500	3,00
600	3,50
700	4,00
800	4,50

Colour	Function	Pin
Red	5V	
White	Signal	
Black	0 V	



A damaged or dirty lens will reduce the output signal.  
Clean lens with pure alcohol only.

In the interest of continuous product improvement, we reserve the right to alter, without prior notice, the specifications and features described on this document.